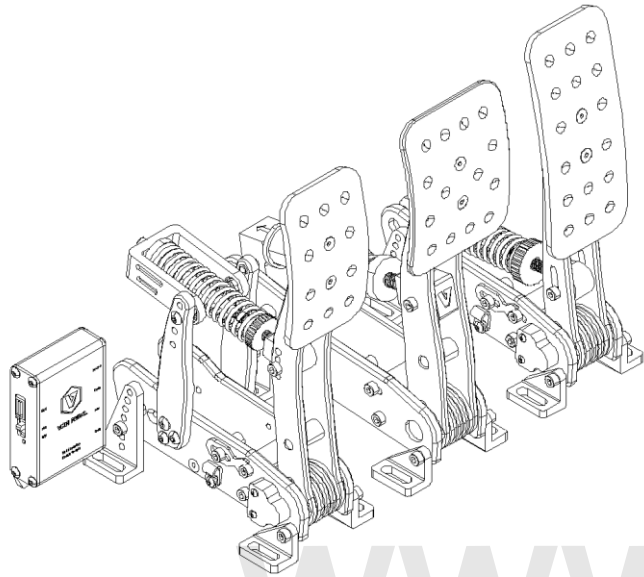
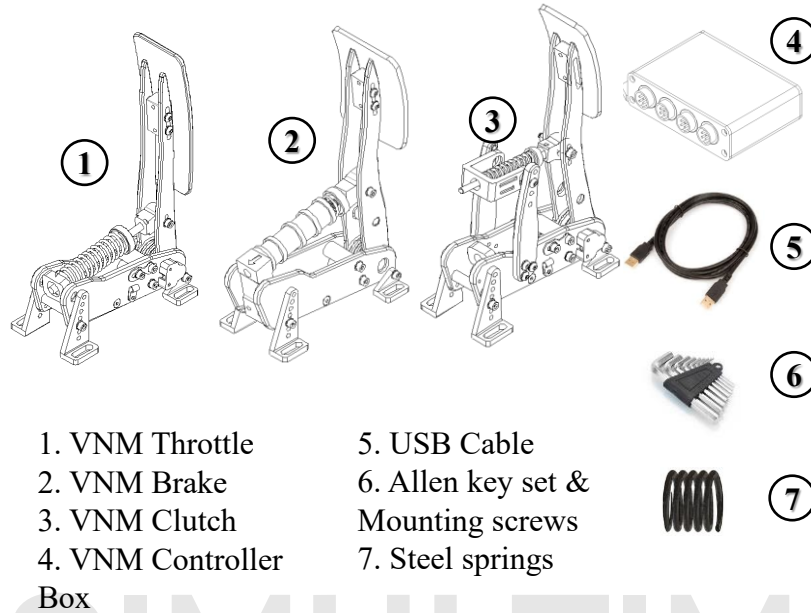


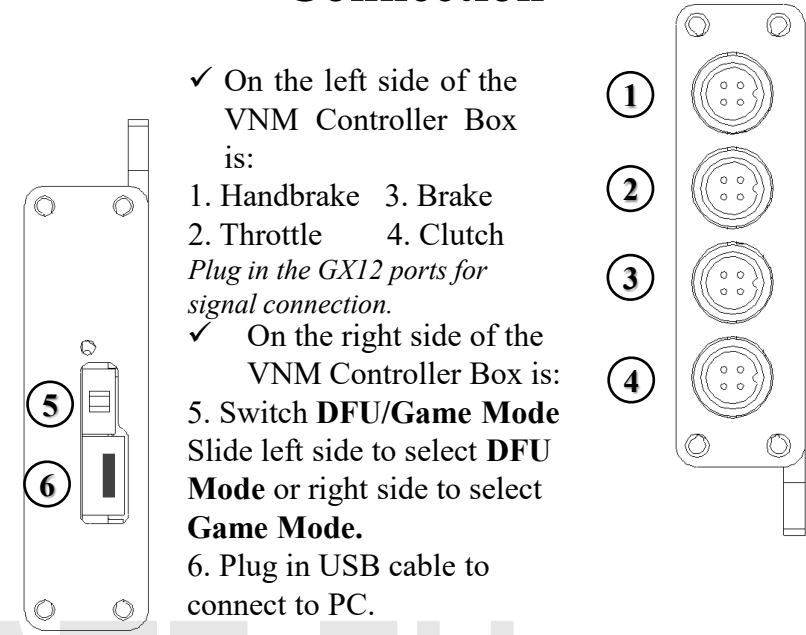
# VNM PEDAL Quick Guide



## Content



## Connection



✓ On the left side of the VNM Controller Box is:

1. Handbrake 3. Brake  
2. Throttle 4. Clutch  
Plug in the GX12 ports for signal connection.

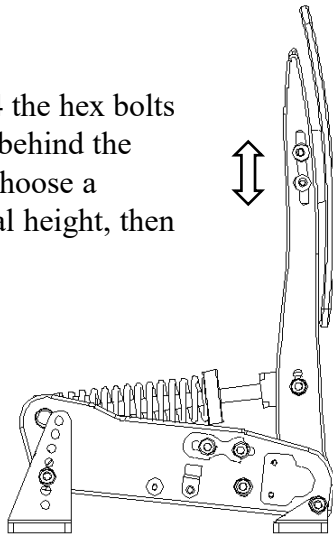
✓ On the right side of the VNM Controller Box is:  
5. Switch **DFU/Game Mode**  
Slide left side to select **DFU Mode** or right side to select **Game Mode**.

6. Plug in USB cable to connect to PC.

## Adjust Pedal

### 1. Adjust the height of the Pedal face

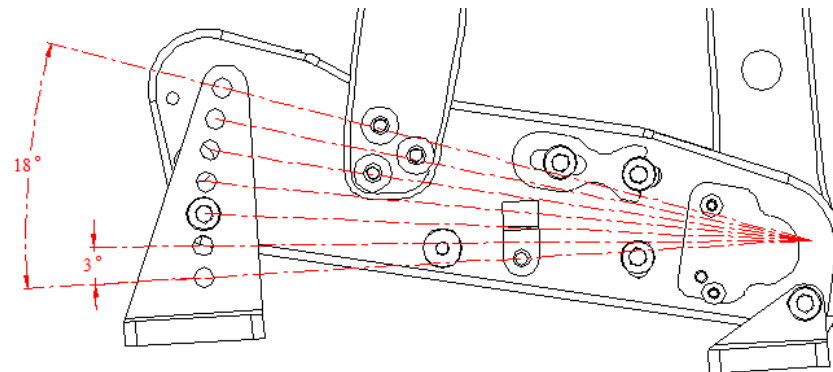
Loosen the 4 the hex bolts on the sides behind the pedal face, choose a suitable pedal height, then tighten.



### 2. Adjust the Pedal tilt angle

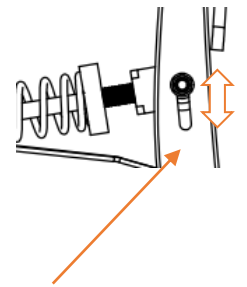
✓ Here we give 7 options so you can change the angle of the pedal to your liking.

✓ Remove the 2 hex bolts on the sides, then choose the angle that suits you and tighten them with the hex bolts.

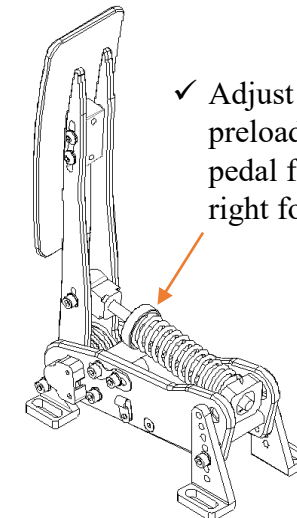


### 3. Adjust the Pedal Force

✓ Adjust the spring preload so that the pedal force is right for your foot

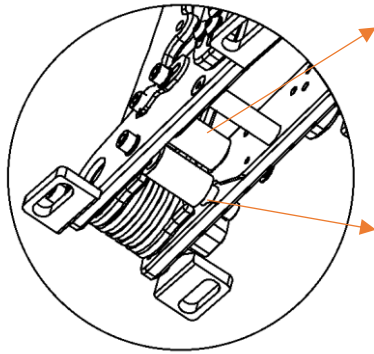


✓ In addition, you can also change the force by adjusting the position of the screw here



## 4. Adjust the Pedal Journeys

- ✓ Adjusting the pedal stroke helps give you the best feeling when experiencing the pedal. Loosen the hex bolts on the sides then choose the suitable location and tighten the hex bolts you just loosened.

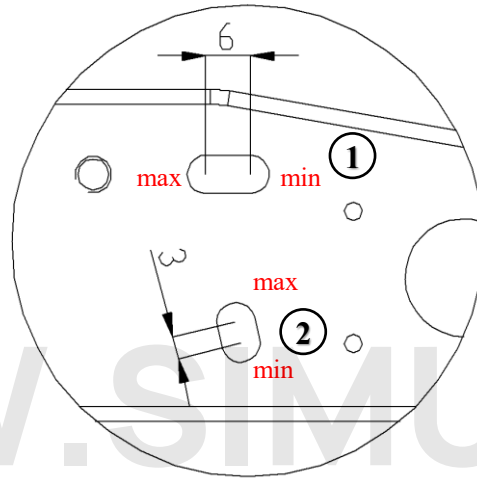


### **End-travel limiter assembly:**

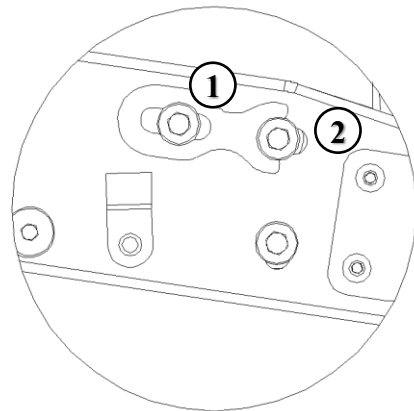
Move the end travel limit assembly to change the end point of the travel.

### **Start-travel limiter assembly:**

Move the start travel limit assembly to change the start point of the travel.

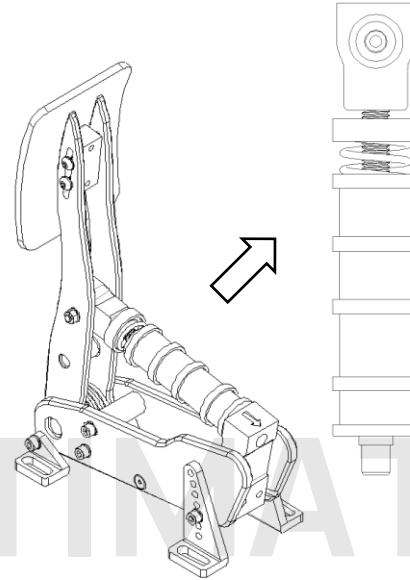


- ✓ Adjusting the end-travel limiter assembly



## 5. Exchange Spring & Elastomer

### **Step 1: Remove the elastomer stack**



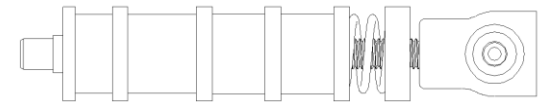
### **Step 2: Choose a suitable combination of springs and elastomers**

3 combinations are recommended, but feel free to mix and match to find the perfect combo for you.

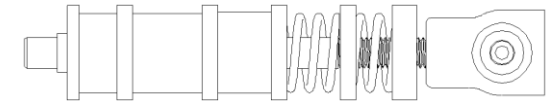
Option 1: 2.5mm spring + 3 elastomers



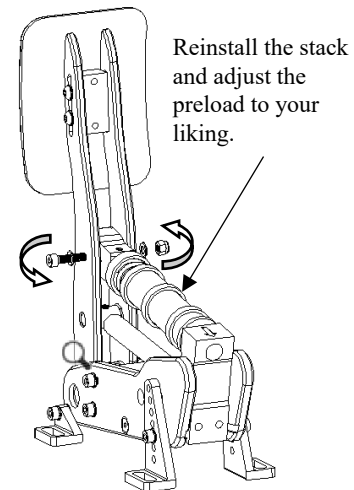
Option 2: 3mm spring + 3 elastomers



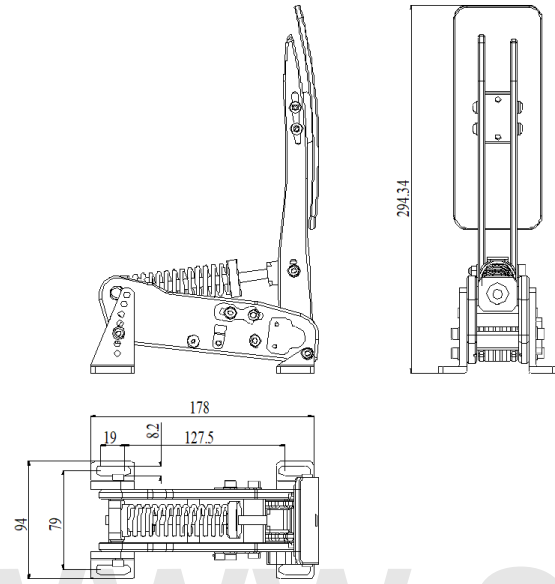
Option 3: 2.5mm spring + 3mm spring + 2 elastomer



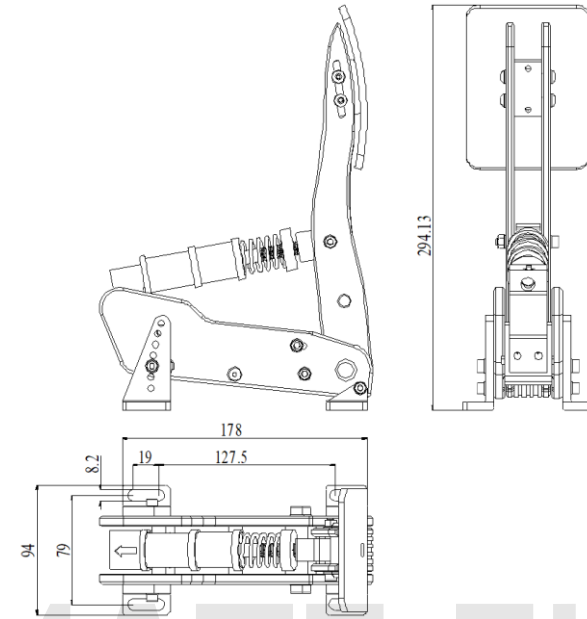
### **Step 3: Re-install the elastomer stack**



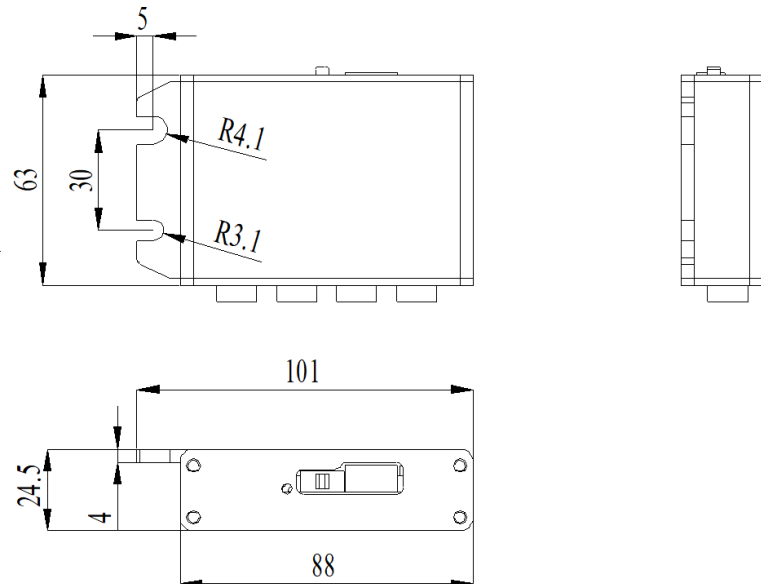
## Mounting Drawing Throttle



## Mounting Drawing Brake



## Mounting Drawing Controller Box



## Mounting Drawing Clutch

