



SIMAGIC

SEQUENTIAL SHIFTER USER MANUAL(VERSION V1.2)

1. About SIMAGIC	3
2. Product Introduction	
2.1 Basic Introduction	4
2.2 Basic Parameters	5
3. Safety Information	6
4. Packing List	7
5. Install Video	8
6. Warranty Description	9
7. Disclaimer and Notice	10

SEQUENTIAL SHIFTER Q1

Welcome to the Direct Drive Revolution





Founded in July 2018 in Shenzhen, a young city of dreams, SIMAGIC Tech Co., Ltd has become a leading force nationwide in the sim-racing field, who provides high-end simulation devices to customers and overall solutions to the industry.

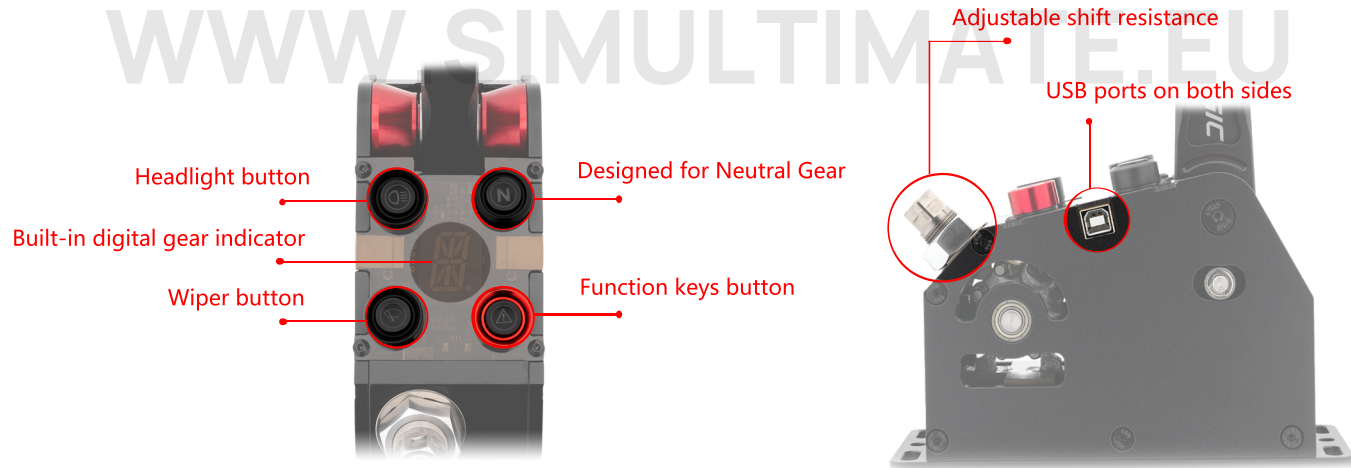
"Full dedication to promoting sim-racing culture" is SIMAGIC's cardinal principle and spirit. "Leading the trend of Sim-racing technology and innovation" is the goal of our branding. With that belief in mind, we devote ourselves to filling the vacancy in China's sim-racing industry. Our innovation and optimization of products never stop. WE are in the vanguard of sim-racing technology. It's our mission to build smart and advanced sim-racing equipment for car-racing game lovers, reproduce authentic racing experiences for players, and provide a brand new sim-driving application for the driving industry.

Jinquan Li, founder and CEO of SIMAGIC, graduated from Shenzhen University with a master's degree in Control Theory and Engineering. His commitment lies deep in the study of control system and driving mechanism. With his team, plus equipped with passion and professionalism, they have been through a 3-year journey of sweat and effort preparing for the best. After the rollout of its first commercial Direct Driving Wheelbase in August 2018, SIMAGIC made its name nationwide. Three years were rather short but long enough for SIMAGIC's innovation to go forward. M10 Base, GT Wheel Series, α Servo Base, Pedals, Sequential Shifter, and more, the SIMAGIC family is booming. Now, we have become the only sim-racing company that integrates R&D, production, and marketing, and revolutionized driving simulation systems with overall upgrades in customization and development.

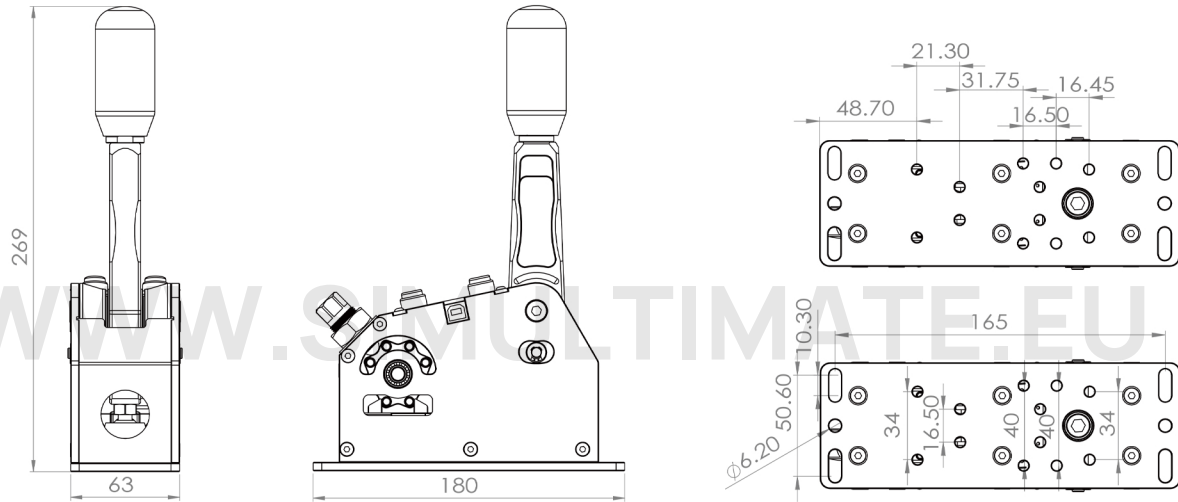
In the future, SIMAGIC's spirit of "be guided by technology, be led by intelligence" will go even further. We'll actively pursue product development through science and technology, explore the infinity of the best user experience, and develop a new sim-racing culture based on "China's intelligent manufacturing."

2.1 Basic Introduction

- * Gear shifter is powered by a planetary gear set, inspired by real race cars.
- * Built-in digital gear indicator, four buttons designed for neutral gear, wiper, headlamp, and founction key
- * USB ports available at both sides. Worry-free installation
- * Customization for a smooth or rough shifter



2.2 The Basic Parameters



Hole Spacing Layout(mm)

Length : 180mm

Width : 63mm

Height : 269mm

Weight : 1.65kg

Safe Operation

- * **Power-on instruction: before turning on the power, make sure that the power cord is connected to the wheelbase. Only unplug the power cord when the wheelbase is switched off.**
- * It is strictly forbidden to expose the device and its power supply to rain or humidity in order to avoid short circuit and electric shock that may cause device malfunction and fire.
- * Desired temperature of operation is 15°C-35°C.
- * The recommended operation time of the wheel with continuous force feedback activity is 1 hour. Excessive use may cause health risks. We suggest taking a 5-minute break every 20 minutes. Do not drive for more than 2 hours a day.
- * Although this product has force feedback configuration, children under 13 years old must be under parental supervision to complete the configuration. Parental guidance is required to monitor children's use of the device.
- * This product contains small pieces and is not suitable for children under 13 years old to use alone.
- * When you use it for the first time, please adjust the force feedback from minimum to a level you are accustomed to.
- * In the game, if the Force Feedback previously set is beyond your control, please stop the game immediately and adjust the force feedback parameters.
- * The wheelbase contains components that cannot be repaired by the user. Opening the casing is forbidden and may cause harm to people or property.
- * Do not open the casing of the device, as it will void the warranty.

Electrical Safety

- * Use only the power supply and power cord that came with your wheelbase, which is important to protect your safety, rights, and interests.
- * Do not use a non-standard power supply and power cord.
- * To ensure safety, replacements may only be issued from an authorized repair center.
- * Do not use non-standard power sources, even if the voltage and frequency appear acceptable.
- * To avoid product damage, use only AC power with a standard wall socket.
- * Do not expose your wheelbase to sources of heat.
- * Unplug the power cord of your wheelbase when unused for long periods of time.
- * If the wheelbase is found to have any malfunctions, stop using it immediately and contact SIMAGIC Official or authorized center for help.
- * Please subscribe to SIMAGIC official website and social platforms for any update regarding product information.

 *** This product is only limited to simulation driving related activities. Please distinguish simulation games from reality and drive safely!**

3.1 Packing List



USB data cable



Installation kit



Warranty card



Optional accessories
Extended shift knob +42mm

Scan the QR code to watch the full setup video



WWW.SIMMATE.EU

Check out the video link to set up SIMAGIC Sequential Shifter: <https://youtu.be/2Pgse71daT4>

The SIMAGIC team, guided by the responsibility of reassuring customers, devote ourselves to the manufacturing industry with a humble spirit of the service industry. We strive to build a sim-racing ecosystem with the best user experience.

To protect the rights and interests of consumers, SIMAGIC provides you with a 12-Month Warranty service.

To request a warranty service order, please contact SIMAGIC service team or an authorized SIMAGIC service provider.

To obtain warranty service, you must fill out the warranty card and deliver it with the product to the SIMAGIC After-sale Service Center.

* SIMAGIC's 12-month warranty policy allows you to replace or repair your purchased SIMAGIC items counting from the date of receipt of shipment. If you cannot provide the receipt, the warranty period counts from the manufacture date.

The warranty does not cover any Damage caused by abuse, misuse, or modifications; or Damage caused by any improper operation performed by anyone who is not a SIMAGIC representative.

For more information on after-sale or warranty service, please check out our Terms and Conditions at SIMAGIC.COM or contact us @simagicofficial via social media platforms like YouTube and Facebook.

- * This product has strong force feedback strength and contains small parts. Children are forbidden to use the device without parental guidance.
 - * Please turn off the button and power supply to prevent accidents.
 - * Anyone trying to use your device for the first time must be instructed and monitored by you the owner.
 - * Loose clothing and easily tangled objects such as hair, cables, and skirts should be kept away from the device.
 - * Your SIMAGIC DDW is ready to use after being unboxed. We make sure the firmware is updated to the latest version when it leaves the factory. For more information regarding software update, please refer to the SIMAGIC website and follow us on Twitter, Facebook, and Instagram @Simagicofficial.
 - * Users MUST wait for 1 hour before driving a car if they had been using the device.
 - * This instruction manual is for demonstration purposes only, not for marketing purposes. It is a general instruction of a single product (including the relevant series products). Please refer to the actual item for your purchase.
 - * The product images and contents shown above are for demonstration purposes only. The actual products may vary slightly in terms of the external design (including but not limited to appearance, colors, and sizes) and the content display (including but not limited to backgrounds, UIs, and pictures). Please check the actual products for reference.
 - * The test data above are all sampled from the SIMAGIC test laboratory and may not reflect the actual performance due to conditions of use and environmental factors. Please refer to the actual user experience for performance evaluation.
 - * The above contents, such as descriptions and images, are subject to changes. SIMAGIC may adjust relevant contents to provide more accurate product information, specification, and feature description at any time based on the actual products in terms of performance, specification, index, and other information. Sometimes, the product supply may fluctuate due to unforeseen problems happening in the process of batching or delivery. In that case, SIMAGIC may change relevant descriptions and images as needed without notification. Please refer to official channels for the latest information.
- * Note: Documents like product manuals are written based on SIMAGIC products as supplements. Please download the relevant documents at approved channels for the security of users' legitimate interest.

Thank you for reading and have a good time



Official website: www.simagic.com
International media platform: SIMAGIC official

This manual is updated without notice.

The latest manual and any SIMAGIC related information can be found on the official website .
If you have any questions and/or suggestions about this instruction manual or SIMAGIC products,
please contact us through the information channel.