

CONSPIT



ARES SERIES

目录

产品免责声明	1
配件清单	4
01. 产品规格	5
02. 安装孔位	7
03. 使用概览	8
04. CDP 快拆系统(需单独购买)	9
05. CES 急停开关(需单独购买)	11
06. 软件安装及设置	12

*在联系技术支持之前, 请注意产品上的序列号. 这个序列号可以在保修卡和包装箱侧面找到, 并展示在这里供您参考:



- 画面和表述可能与实际略有区别, 请以实际为准。
- 在开始使用基座之前, 请仔细阅读本手册。
- 对产品的任何修改、篡改、更改或未经授权的使用都将使保修无效。
- 基座没有防水功能, 请将其远离水、雨水、湿气和其他含有液体的物品。
- 如果您长时间不使用该产品, 请断开USB连接。

- i -

产品免责声明

我们特此提醒您注意:

使用本产品前请确保您已认真阅读并充分理解本产品免责声明及以下所有产品安全提示及操作规范。在中华人民共和国法律允许的范围内, 恩速(上海)电子科技有限公司对因您未遵循以下任何安全提示或操作规范使用本产品所造成的一切人身伤害和/或财产损失不承担责任。

如您对本声明或以下产品安全提示及操作规范有任何疑问, 您可通过support@conspit.com.cn咨询。阅读本声明及以下产品安全提示及操作规范的过程中, 如果您不同意其中的任何内容, 您应立即停止使用本产品。如果您开始使用本产品, 您的使用行为将被视为对本声明及以下产品安全提示及操作规范全部内容的认可。

- 搬运及安装过程中的安全讯息
 - 产品及零部件有一定的重量, 请确保您或安装及使用者有足够搬起重物的能力, 搬运零件及安装产品时量力而行, 我们建议至少由两人共同完成搬运及安装工作。
 - 产品为部分金属材料, 在零件安装过程中有发生磕碰伤害的可能, 请勿在安装及使用穿着拖鞋、短裤等裸露皮肤较多的着装。
 - 零部件表面较为光滑, 在取放及挪动时务必确保物品已被妥善拿起, 部件脱落掉落可能造成财产损失甚至人身伤害。

- 务必在安全的情况下使用本产品
 - 请确保使用者有自行活动能力及清醒的意识, 请勿在生病、疲劳、受酒精/药物影响下使用本产品。

- 确定本产品已经安装妥当
 - 本产品需要您完成部分安装工作, 确保您在安装过程中遵循产品手册上的步骤及指示, 在没有正确牢固地进行安装的情况下使用可能会造成以下结果: 部分紧固件脱落造成磕碰伤害; 零件脱落飞出伤及自己或他人。

- 产品放置的安全讯息
 - 请勿在该产品四周50公分(厘米)范围内堆放杂物, 使用时在产品周围留出足够您从容使用及离开设备的空间。

- 1 -

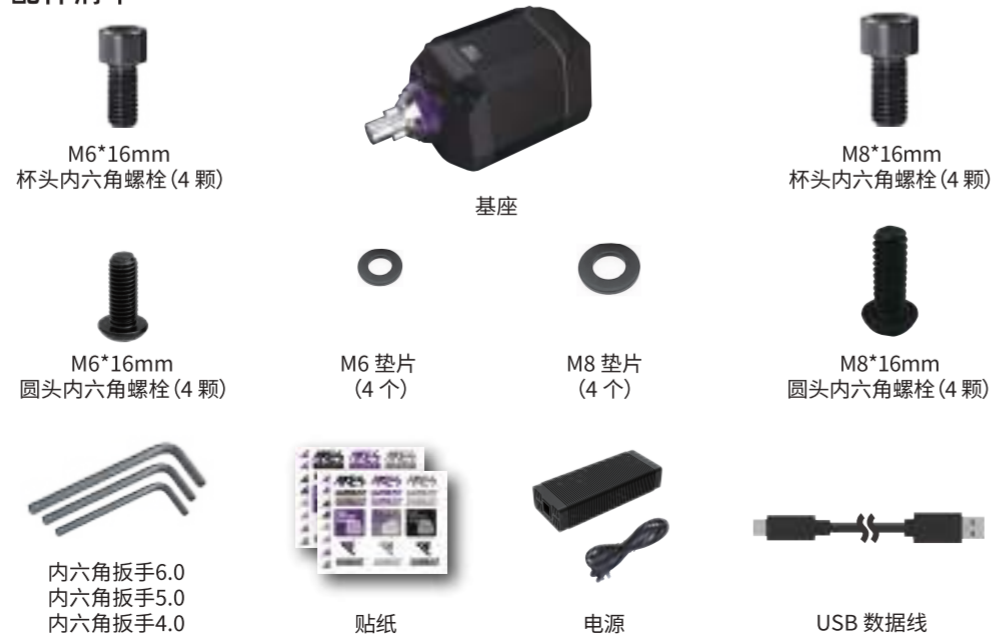
CONSPIT ARES 系列模拟赛车基座专为追求极致竞技体验的模拟赛车手打造, 搭载针对模拟赛车专一开发的高精度斜极直驱电机及深度优化的高性能力回馈系统, 将以高度保真的细腻手感为玩家带来前所未有的真实驾驶感受。



请先确认配件清单中全部零件再开始安装
安装过程大约需要5-10分钟

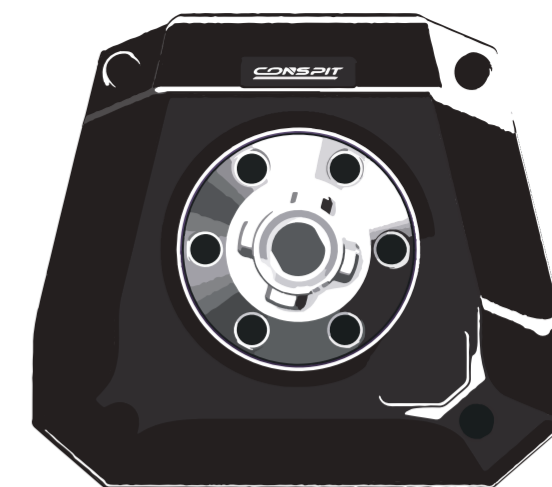
- 3 -

配件清单



- 4 -

CONSPIT



ARES SERIES

Table of Contents

Product Disclaimer	1
Packing List	4
01. Specifications	5
02. Mounting Templates	7
03. Usage Overview	8
04. CDP Quick Release (Optional)	9
05. CES Emergency Stop (Optional)	11
06. Software Installation and Set-up	12

*Please note the serial number on your product before contacting the support. The serial number can be found on the warranty card and the side of the corrugated box, and written here for your convenience.



- There may be slight differences between the visuals and descriptions presented and the actual situation. Please refer to the actual circumstances.
- Please read the manual carefully before you use the wheelbase.
- Any modifications, tampering, changes or unauthorized uses of the product will void the warranty.
- The wheelbase has no waterproof feature, please keep it away from water, rain, moisture and other items containing liquid.
- Disconnect the USB cable if you will not use the product for a long time.

- i -

Product Disclaimer

We hereby reminds you that:

Before using this product, please ensure that you have carefully read and fully understood this Product Disclaimer and all the following product safety tips and operation specifications. To the extent permitted by the laws of the People's Republic of China, Ensu (Shanghai) Electronic Technology Co., Ltd. is not responsible for all personal injury and/or property damage caused by your failure to obey any of the following safety tips or operating specifications.

If you have any questions about this Disclaimer or the following product safety tips and operating specifications, you can consult through support@conspit.com.cn. In the process of reading this Disclaimer and the following product safety tips and operating specifications, you should immediately stop using this product if you do not agree with any of the contents.

If you do use this product, your behavior will be regarded as an acceptance of this Disclaimer and the following product safety tips and operation specifications.

- Safety information during handling and installation:
 - The product and its components are relatively heavy in weight. Please ensure that you or the installer and user have sufficient lifting capacity. We recommend that at least two people work together to handle and install the product.
 - The product is made of metal. There is a possibility of collision injuries during the installation of parts. Please do not wear slippers, shorts, or clothing that exposes a lot of skin during installation and use.
 - When picking up and moving items, please make sure you have a firm grip. Dropping components can cause property damage or even personal injury.
- It is essential to use this product under safe conditions:
 - Please ensure that the user has the ability to move independently and is conscious. Do not use this product when sick, fatigued, or under the influence of alcohol/drugs.
- Ensure proper installation of the product:
 - This product requires you to complete some installation work. Please follow the steps and instructions in the product manual during the installation process. Using the product without proper installation may result in the following: partial fasteners coming loose and causing collision injuries, parts detaching and causing injury to yourself or others.
- Safety information for product placement:
 - Do not pile up debris within a 50-centimeter radius around the product. Leave enough space around the product for comfortable use and movement.

- 1 -

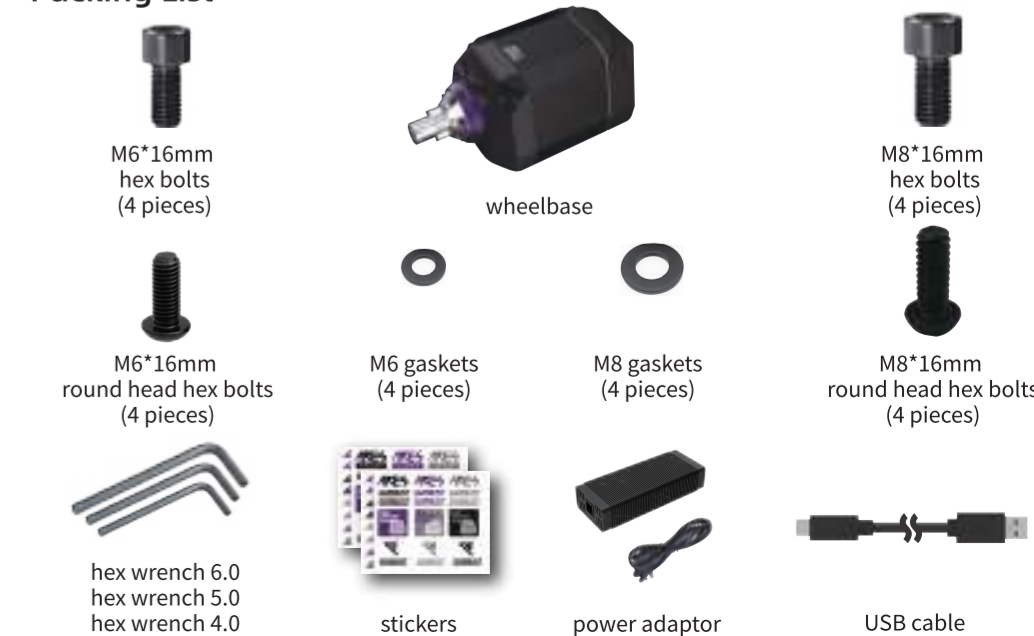
The CONSPIT ARES Series Sim-racing Wheelbase is designed for sim racers who seek the ultimate competitive experience. Equipped with a high-precision skew-pole direct-drive motor specifically developed for sim racing and a deeply optimized high-performance force feedback system, it delivers an unprecedented realistic driving experience with highly detailed tactile feedback.



Please confirm all the components listed in the packing list before starting the installation.
The installation process is expected to take 5-10 minutes.

- 3 -

Packing List



- 4 -

01 Specifications

ARES
PLATINUM

Maximum Torque:	20 Nm
Software:	Conspit Link 2.0
Product Dimensions:	134x150x287 mm
Net Weight:	7.9 kg
Motor:	Customized skew-pole direct-drive
Encoder:	23-bit resolution optical encoder
MCU:	170MHz+168MHz unsymmetric dual-core
Power and Communication:	20 million revolutions slip ring
Power Supply:	48V 8.33A
Quick Release:	CDP quick release, steering wheel end is optional
E-Stop:	CES emergency stop, optional
Mounting Holes:	M6 x 4 (bottom), M8 x 4 (sides)

- 5 -

ARES

Maximum Torque:	12 Nm
Software:	Conspit Link 2.0
Product Dimensions:	134x150x260 mm
Net Weight:	5.6 kg
Motor:	Customized skew-pole direct-drive
Encoder:	23-bit resolution optical encoder
MCU:	170MHz+168MHz unsymmetric dual-core
Power and Communication:	20 million revolutions slip ring
Power Supply:	48V 6A
Quick Release:	CDP quick release, steering wheel end is optional
E-Stop:	CES emergency stop, optional
Mounting Holes:	M6 x 4 (bottom), M8 x 4 (sides)

- 6 -

01 产品规格

ARES
PLATINUM

最大扭矩:	20 Nm
驱动软件:	Conspit Link 2.0
产品尺寸:	134x150x287 mm
净重:	7.9 kg
电机类型:	定制斜极直驱伺服电机
编码器:	23bit 高分辨率光电编码器
处理器:	170MHz+168MHz 非对称双核处理器
供电通讯:	2000万转滑环
电源:	48V 8.33A
快拆:	CDP 快拆系统, 方向盘端选配
急停开关:	CES 急停开关, 选配
安装孔位:	底部 M6 螺纹孔 x 4, 两侧 M8 螺纹孔 x 4

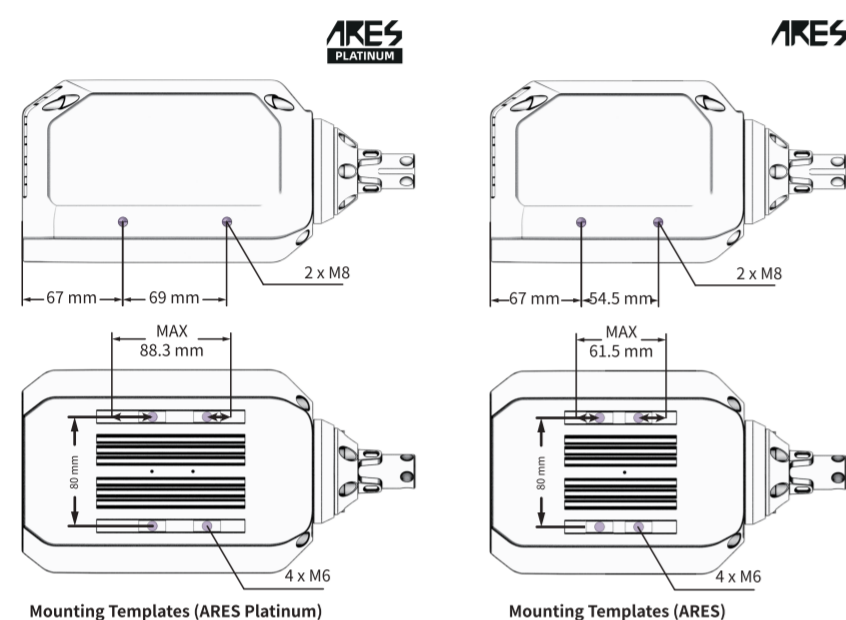
- 5 -

ARES

最大扭矩:	12 Nm
驱动软件:	Conspit Link 2.0
产品尺寸:	134x150x260 mm
净重:	5.6 kg
电机类型:	定制斜极直驱伺服电机
编码器:	23bit 高分辨率光电编码器
处理器:	170MHz+168MHz 非对称双核处理器
供电通讯:	2000万转滑环
电源:	48V 6A
快拆:	CDP 快拆系统, 方向盘端选配
急停开关:	CES 急停开关, 选配
安装孔位:	底部 M6 螺纹孔 x 4, 两侧 M8 螺纹孔 x 4

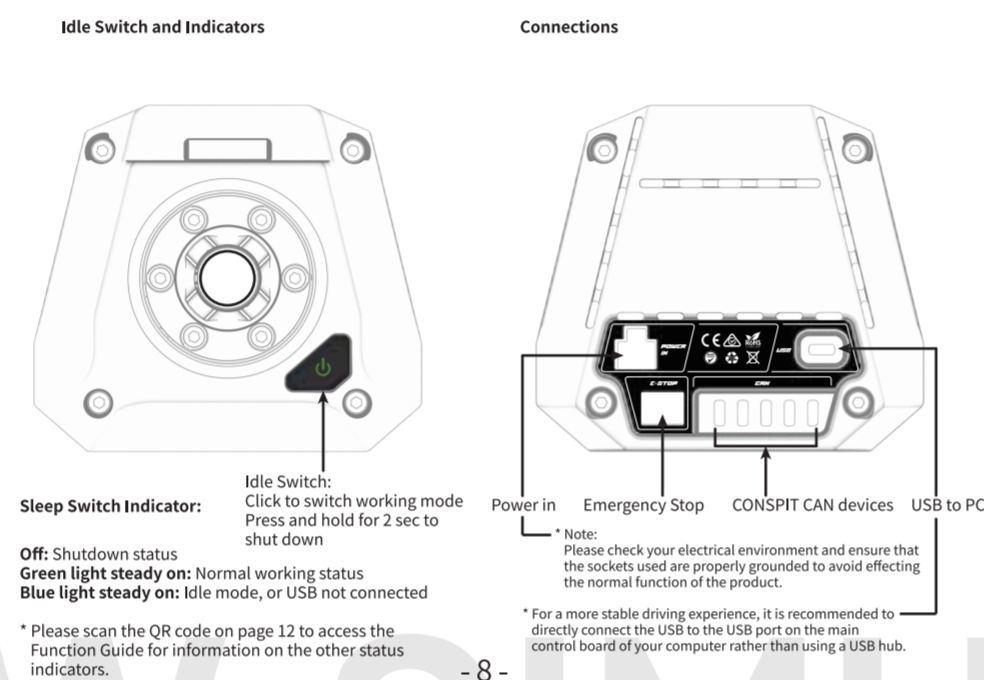
- 6 -

02 Mounting Templates



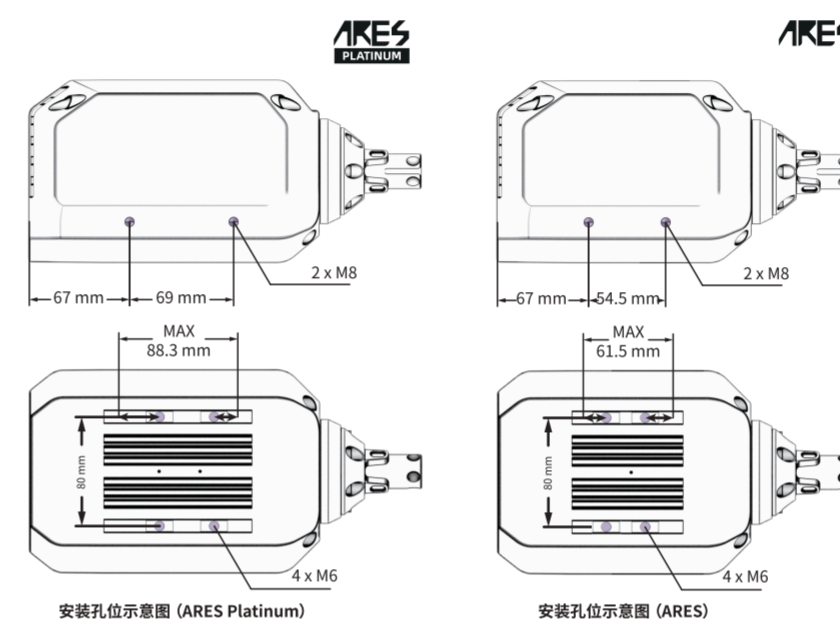
- 7 -

03 Usage Overview



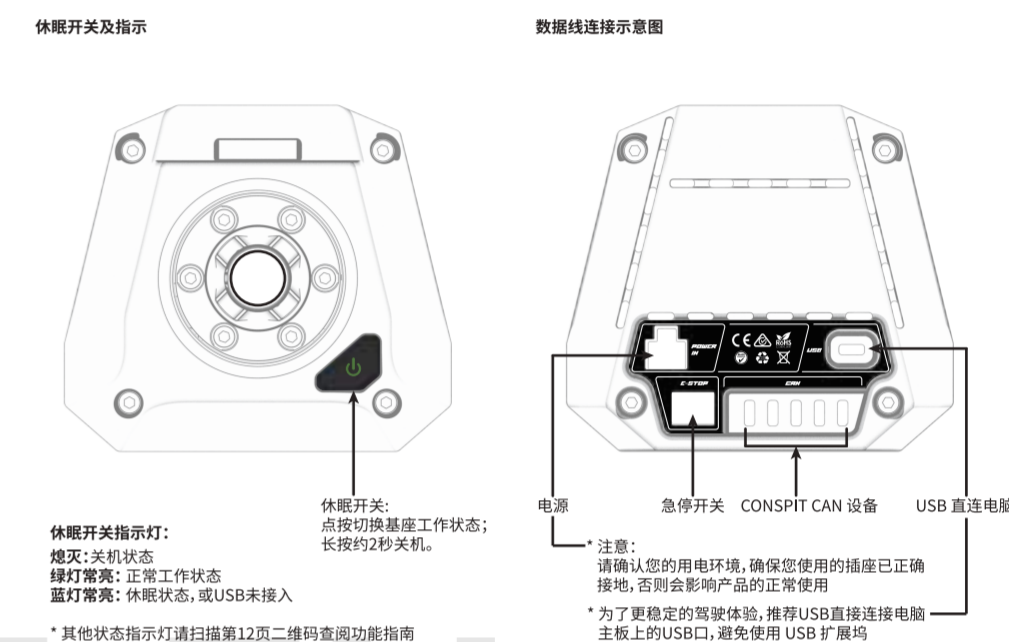
- 8 -

02 安装孔位



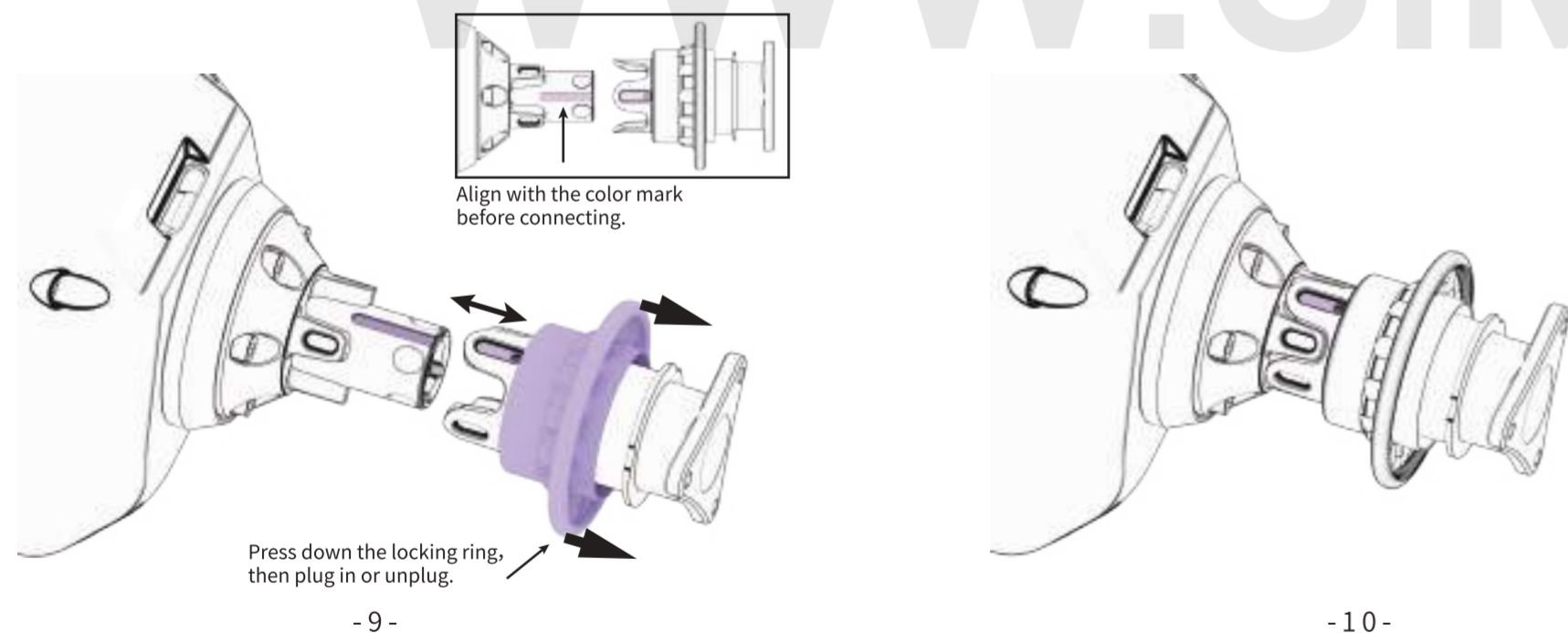
- 7 -

03 使用概览



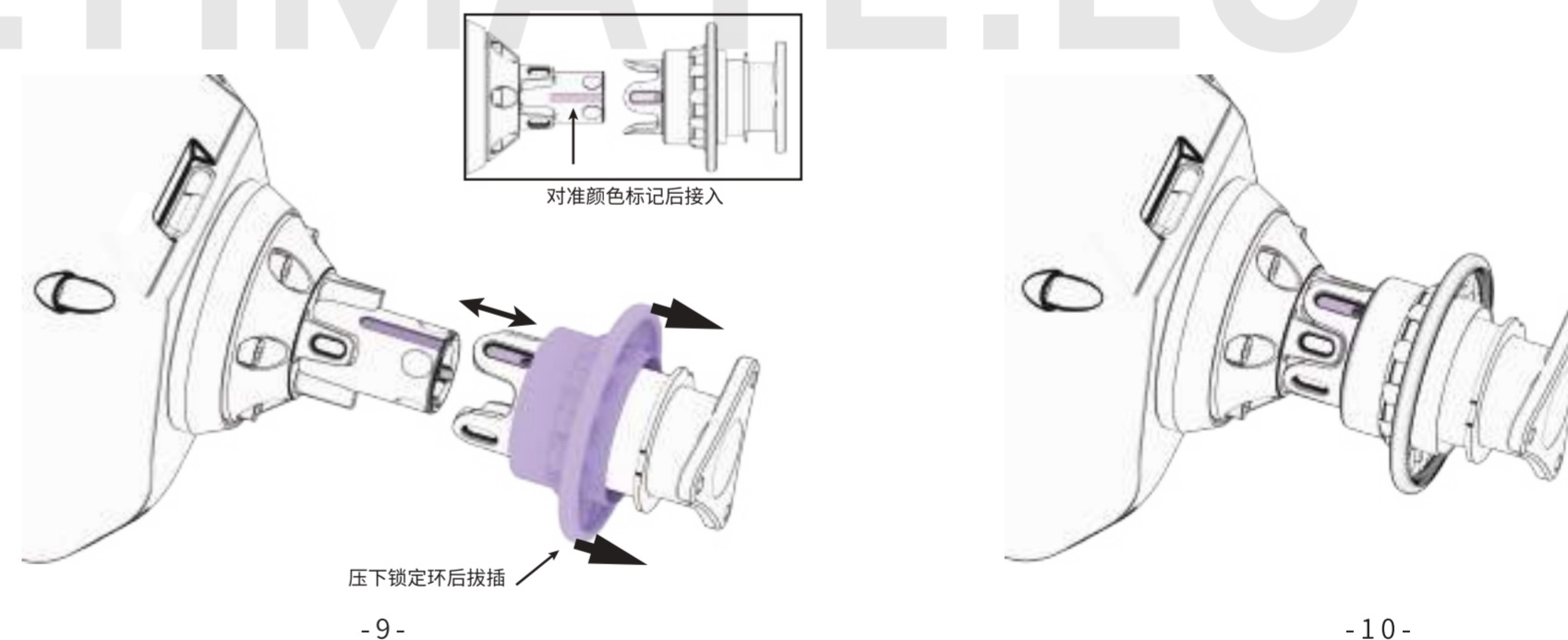
- 8 -

04 CDP Quick Release (Optional)



- 9 -

04 CDP 快拆系统 (需单独购买)

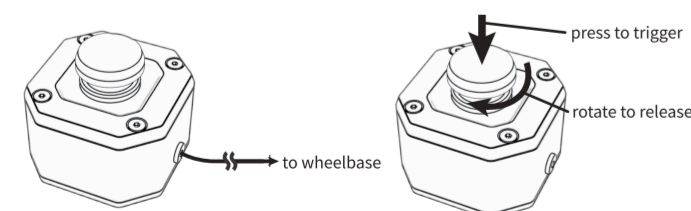


- 9 -

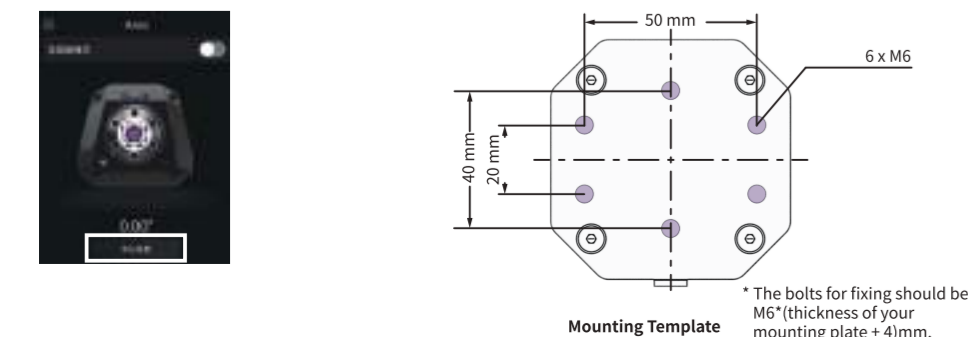
- 10 -

05 CES Emergency Stop (Optional)

* After pressing the emergency stop button, the wheelbase will immediately enter the Protection Mode.



* After releasing the emergency stop button, please enter Conspit Link 2.0 to re-calibrate the center.



- 11 -

06 Software Installation and Set-up

* Visit www.conspit.com and download Conspit Link 2.0.

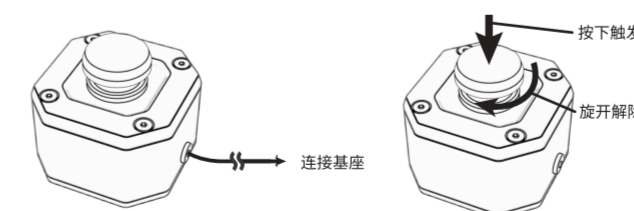


Please scan the QR code for reference.

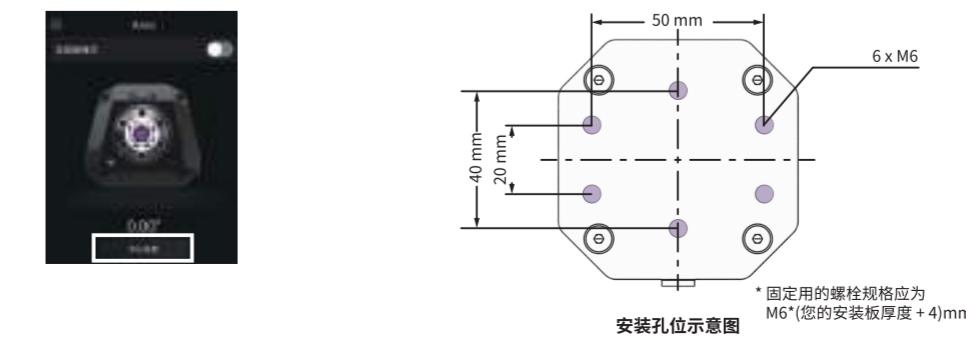
- 12 -

05 CES 急停开关 (需单独购买)

* 按下急停开关的按钮后, 底座将立即进入保护模式



* 松开急停开关的按钮后, 请进入 Conspit Link 2.0 驱动软件重新校准底座中心位置。



- 11 -

06 软件安装及设置

* 请访问www.conspit.com, 下载Conspit Link 2.0驱动程序



请扫描二维码参阅

- 12 -