



ARES SERIES

目录

Table of Contents listing sections like Product Disclaimer, Packing List, Specifications, etc.

*在联系技术支持之前, 请注意产品上的序列号. 这个序列号可以在保修卡和包装箱侧面找到, 并展示在这里供您参考:



- 画面和表述可能与实际略有区别, 请以实际为准.
在开始使用基座之前, 请仔细阅读本手册.
对产品的任何修改、篡改、更改或未经授权的使用都将使保修无效.

- i -

产品免责声明

我们特此提醒您注意:

使用本产品前请确保您已认真阅读并充分理解本产品免责声明及以下所有产品安全提示及操作规范.

如您对本声明或以下产品安全提示及操作规范有任何疑问, 您可通过support@conspit.com.cn咨询.

- 搬运及安装过程中的安全讯息
产品及零部件有一定的重量, 请确保您或安装及使用者有足够搬起重物的能力.

- 务必在安全的情况下使用本产品
请确保使用者有自行活动能力及清醒的意识.

- 确定本产品已经安装妥当
本产品需要完成部分安装工作, 确保您在安装过程中遵循产品手册上的步骤及指示.

- 产品放置的安全讯息
请勿在该产品四周50公分(厘米)范围内堆放杂物.

- 1 -

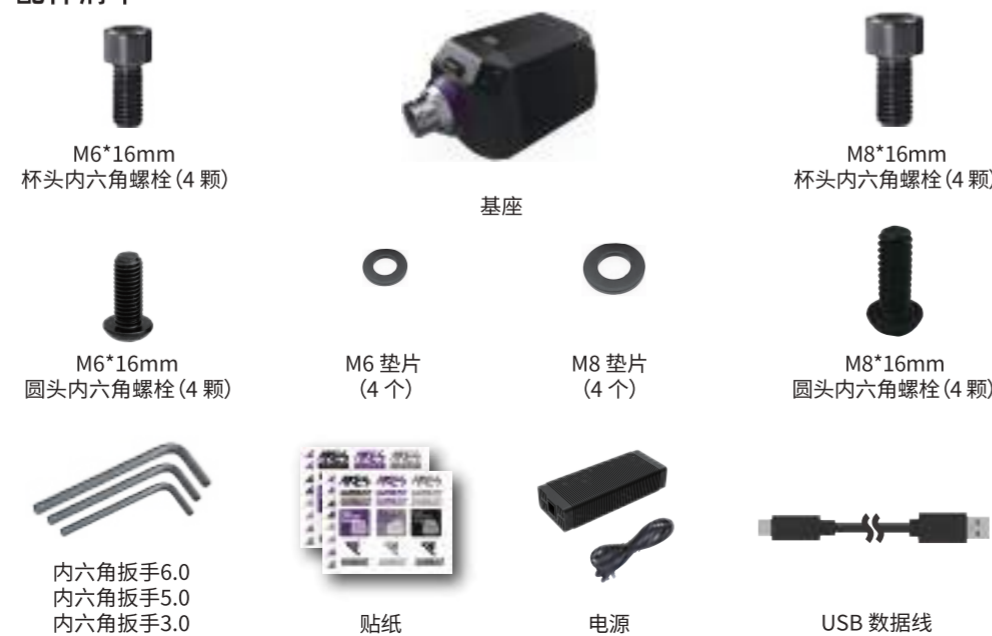
CONSPIT ARES 系列模拟赛车基座专为追求极致竞技体验的模拟赛车手打造, 搭载针对模拟赛车专一开发的高精度斜极直驱电机及深度优化的高性能力回馈系统.



请先确认配件清单中全部零件再开始安装
安装过程大约需要5-10分钟

- 3 -

配件清单



- 4 -



ARES SERIES

Table of Contents

Table of Contents listing sections like Product Disclaimer, Packing List, Specifications, etc.

*Please note the serial number on your product before contacting the support. The serial number can be found on the warranty card and the side of the corrugated box, and written here for your convenience.



- There may be slight differences between the visuals and descriptions presented and the actual situation.
Please read the manual carefully before you use the wheelbase.
Any modifications, tampering, changes or unauthorized uses of the product will void the warranty.

- i -

Product Disclaimer

We hereby reminds you that:

Before using this product, please ensure that you have carefully read and fully understood this Product Disclaimer and all the following product safety tips and operation specifications.

If you have any questions about this Disclaimer or the following product safety tips and operating specifications, you can consult through support@conspit.com.cn.

If you do use this product, your behavior will be regarded as an acceptance of this Disclaimer and the following product safety tips and operation specifications.

- Safety information during handling and installation:
The product and its components are relatively heavy in weight.
It is essential to use this product under safe conditions:
Ensure proper installation of the product:
Safety information for product placement:

- 1 -

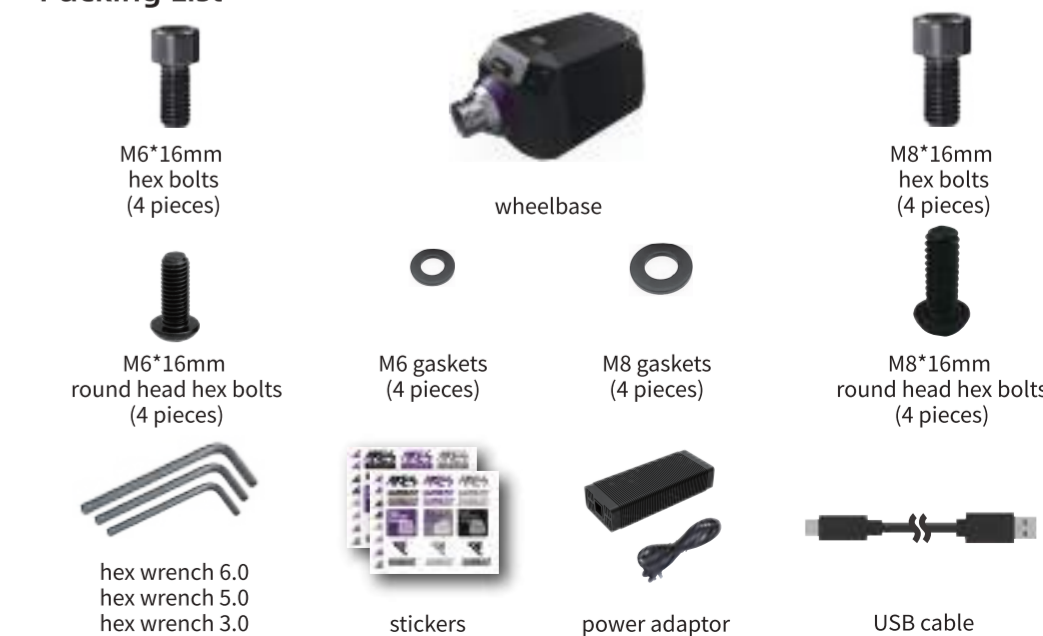
The CONSPIT ARES Series Sim-racing Wheelbase is designed for sim racers who seek the ultimate competitive experience.



Please confirm all the components listed in the packing list before starting the installation.
The installation process is expected to take 5-10 minutes.

- 3 -

Packing List



- 4 -

01 Specifications

ARES
PLATINUM

| | |
|--------------------------|---|
| Maximum Torque: | 20 Nm |
| Software: | Conspit Link 2.0 |
| Product Dimensions: | 134x150x270 mm |
| Net Weight: | 7.9 kg |
| Motor: | Customized skew-pole direct-drive |
| Encoder: | 23-bit resolution optical encoder |
| MCU: | 170MHz+168MHz unsymmetric dual-core |
| Power and Communication: | 20 million revolutions slip ring |
| Power Supply: | 48V 8.33A |
| Quick Release: | CDR quick release, steering wheel end is optional |
| E-Stop: | CES emergency stop, optional |
| Mounting Holes: | M6 x 4 (bottom), M8 x 4 (sides) |

- 5 -

ARES

| | |
|--------------------------|---|
| Maximum Torque: | 12 Nm |
| Software: | Conspit Link 2.0 |
| Product Dimensions: | 134x150x243 mm |
| Net Weight: | 5.6 kg |
| Motor: | Customized skew-pole direct-drive |
| Encoder: | 23-bit resolution optical encoder |
| MCU: | 170MHz+168MHz unsymmetric dual-core |
| Power and Communication: | 20 million revolutions slip ring |
| Power Supply: | 48V 6A |
| Quick Release: | CDR quick release, steering wheel end is optional |
| E-Stop: | CES emergency stop, optional |
| Mounting Holes: | M6 x 4 (bottom), M8 x 4 (sides) |

- 6 -

01 产品规格

ARES
PLATINUM

| | |
|-------|------------------------------|
| 最大扭矩: | 20 Nm |
| 驱动软件: | Conspit Link 2.0 |
| 产品尺寸: | 134x150x270 mm |
| 净重: | 7.9 kg |
| 电机类型: | 定制斜极直驱伺服电机 |
| 编码器: | 23bit 高分辨率光电编码器 |
| 处理器: | 170MHz+168MHz 非对称双核处理器 |
| 供电通讯: | 2000万转滑环 |
| 电源: | 48V 8.33A |
| 快拆: | CDR 快拆系统, 方向盘端选配 |
| 急停开关: | CES 急停开关, 选配 |
| 安装孔位: | 底部 M6 螺纹孔 x 4, 两侧 M8 螺纹孔 x 4 |

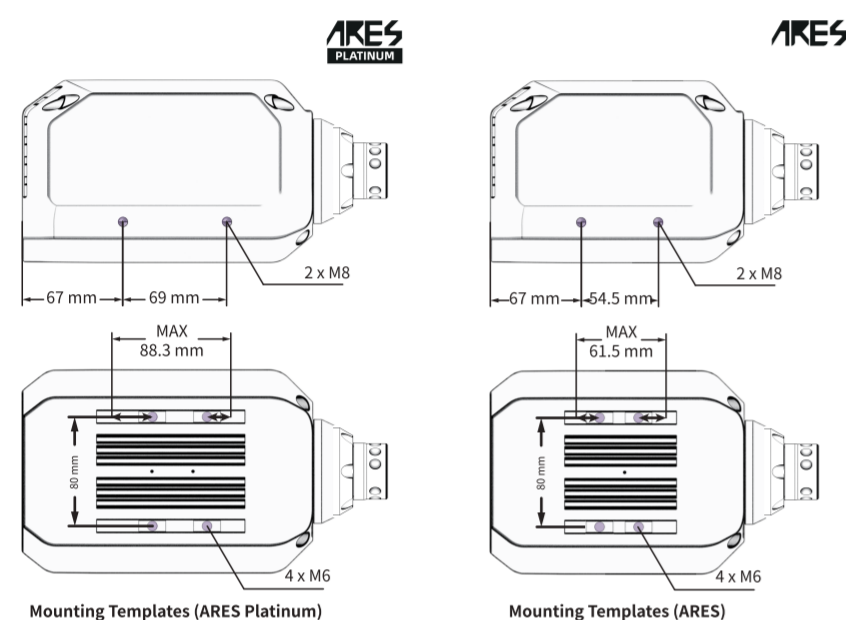
- 5 -

ARES

| | |
|-------|------------------------------|
| 最大扭矩: | 12 Nm |
| 驱动软件: | Conspit Link 2.0 |
| 产品尺寸: | 134x150x243 mm |
| 净重: | 5.6 kg |
| 电机类型: | 定制斜极直驱伺服电机 |
| 编码器: | 23bit 高分辨率光电编码器 |
| 处理器: | 170MHz+168MHz 非对称双核处理器 |
| 供电通讯: | 2000万转滑环 |
| 电源: | 48V 6A |
| 快拆: | CDR 快拆系统, 方向盘端选配 |
| 急停开关: | CES 急停开关, 选配 |
| 安装孔位: | 底部 M6 螺纹孔 x 4, 两侧 M8 螺纹孔 x 4 |

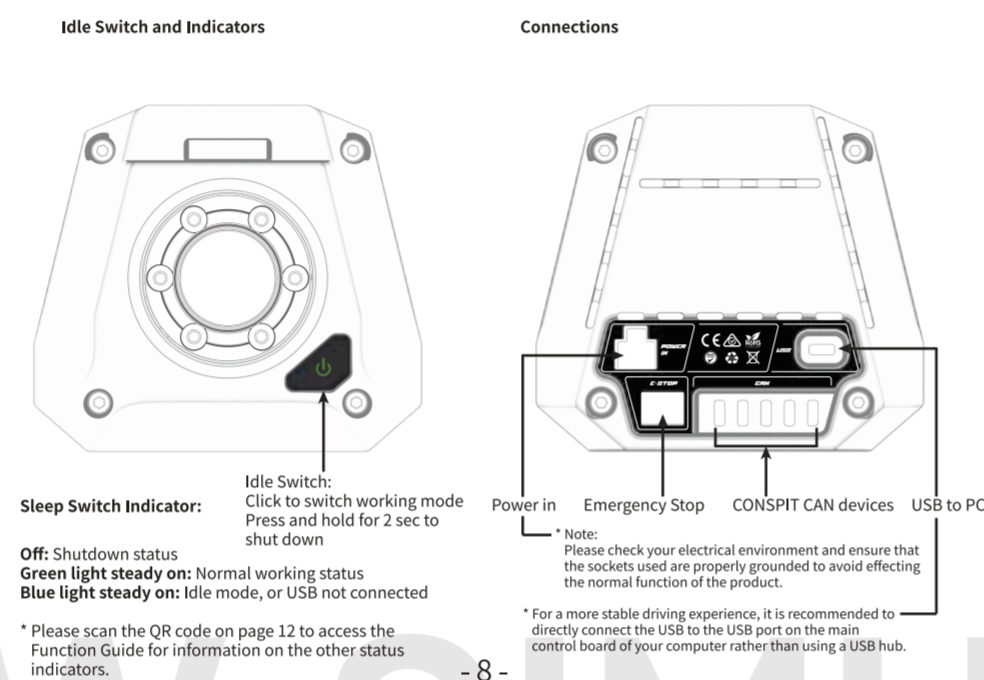
- 6 -

02 Mounting Templates



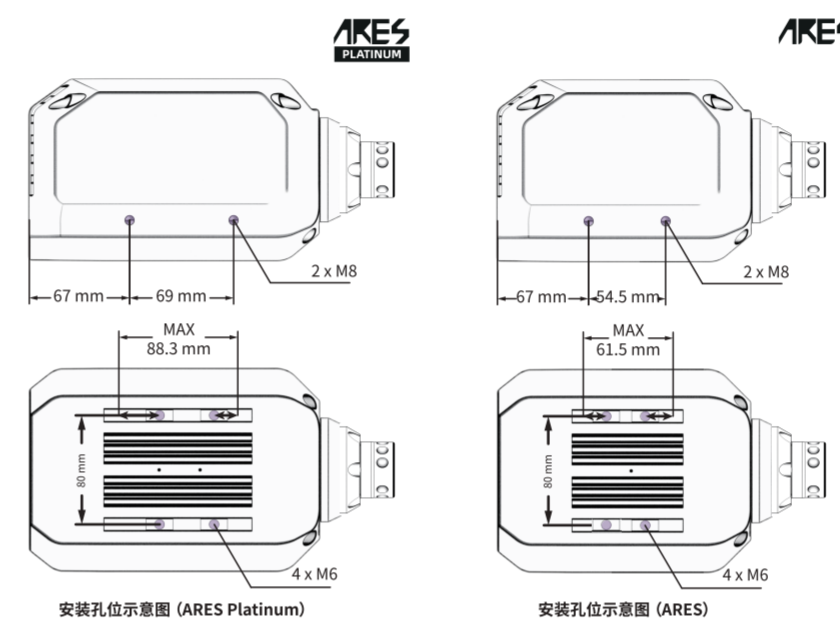
- 7 -

03 Usage Overview



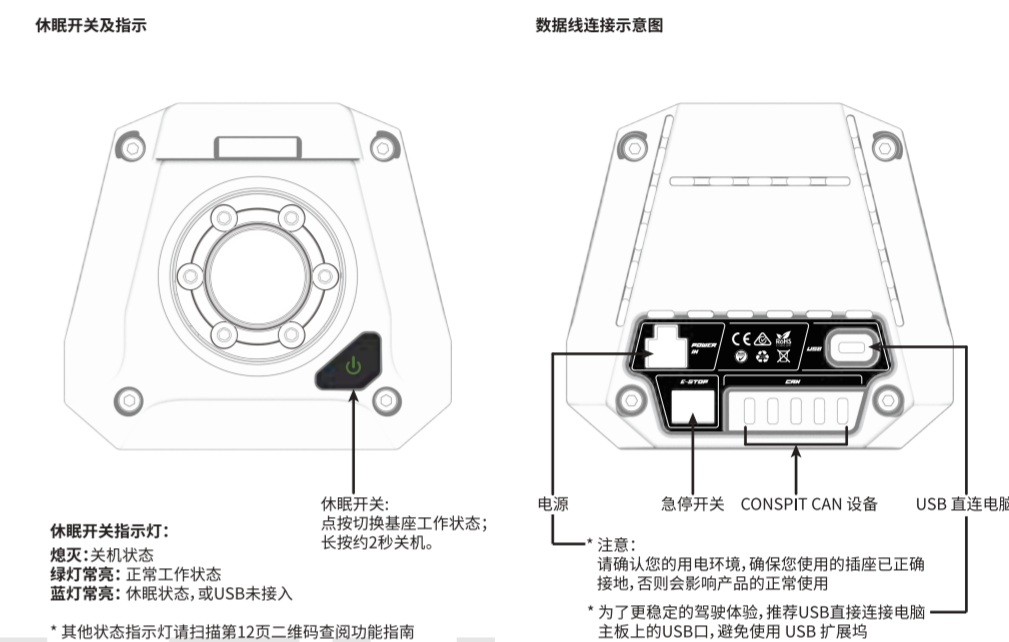
- 8 -

02 安装孔位



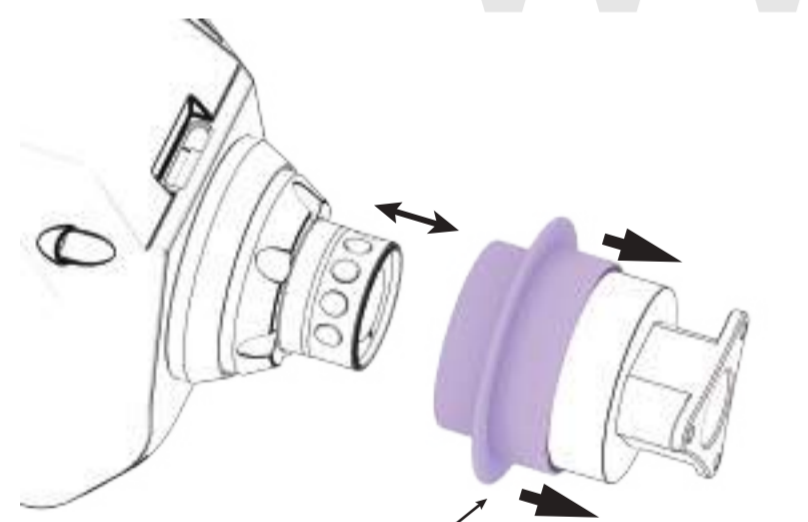
- 7 -

03 使用概览



- 8 -

04 CDR Quick Release (Optional)



For the first time of use, press down the locking ring, then make the connection; For subsequent connections, there's no need to manually pull the ring.

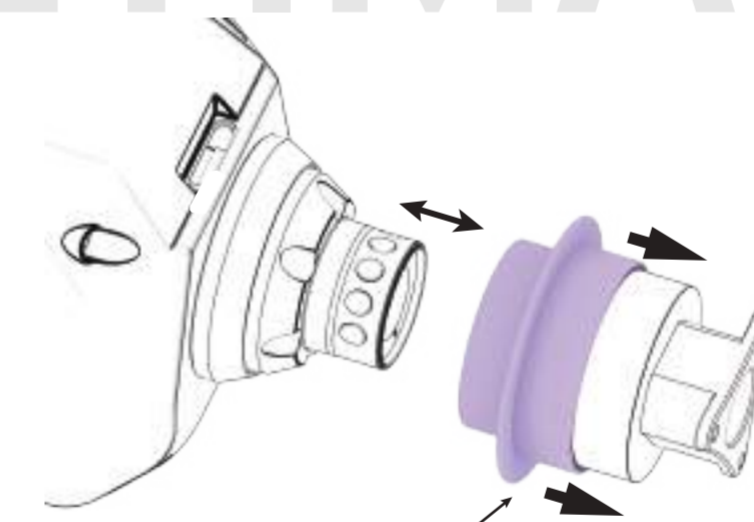
- 9 -



The status when the connection is completed. When removing, you need to manually pull the locking ring, and the QR mechanism will automatically pop out.

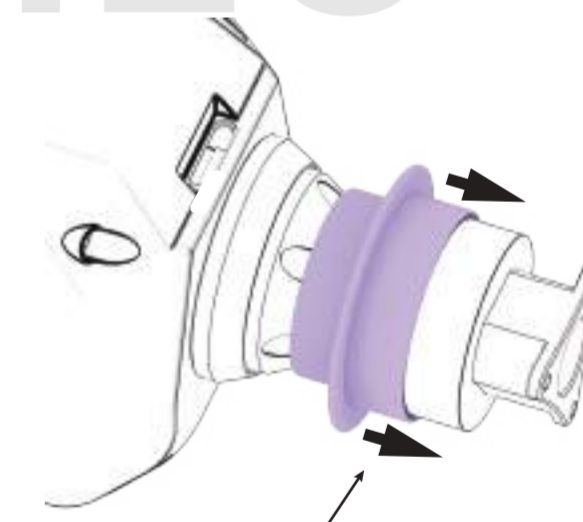
- 10 -

04 CDR 快拆系统 (需单独购买)



首次使用时, 压下锁定环后接入; 之后再次接入无需手动拔环。

- 9 -

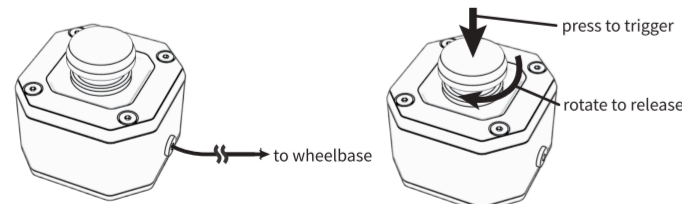


接入完成的状态。卸下时, 需手动拔锁定环, 快拆将自动弹出。

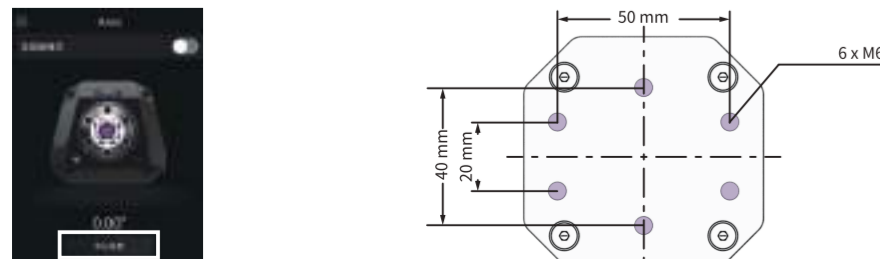
- 10 -

05 CES Emergency Stop (Optional)

* After pressing the emergency stop button, the wheelbase will immediately enter the Protection Mode.



* After releasing the emergency stop button, please enter Conspit Link 2.0 to re-calibrate the center.



- 11 -

06 Software Installation and Set-up

* Visit www.conspit.com and download Conspit Link 2.0.

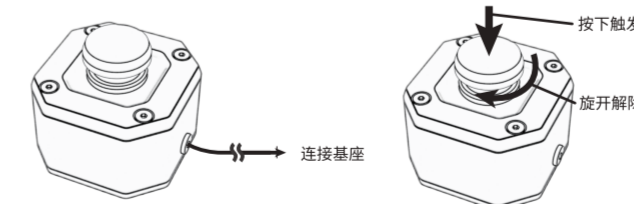


Please scan the QR code for reference.

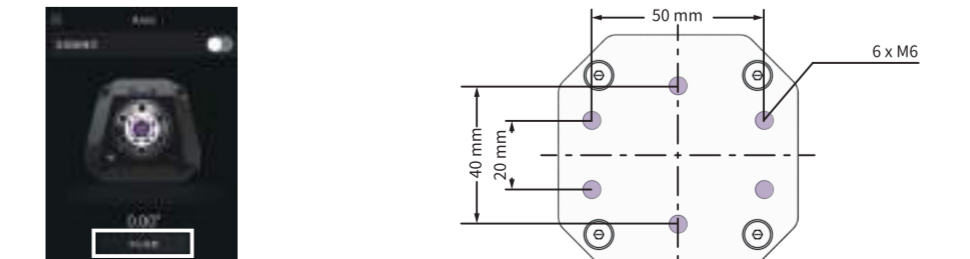
- 12 -

05 CES 急停开关 (需单独购买)

* 按下急停开关的按钮后, 底座将立即进入保护模式



* 松开急停开关的按钮后, 请进入 Conspit Link 2.0 驱动软件重新校准底座中心位置。



- 11 -

06 软件安装及设置

* 请访问www.conspit.com, 下载Conspit Link 2.0驱动程序



请扫描二维码参阅

- 12 -